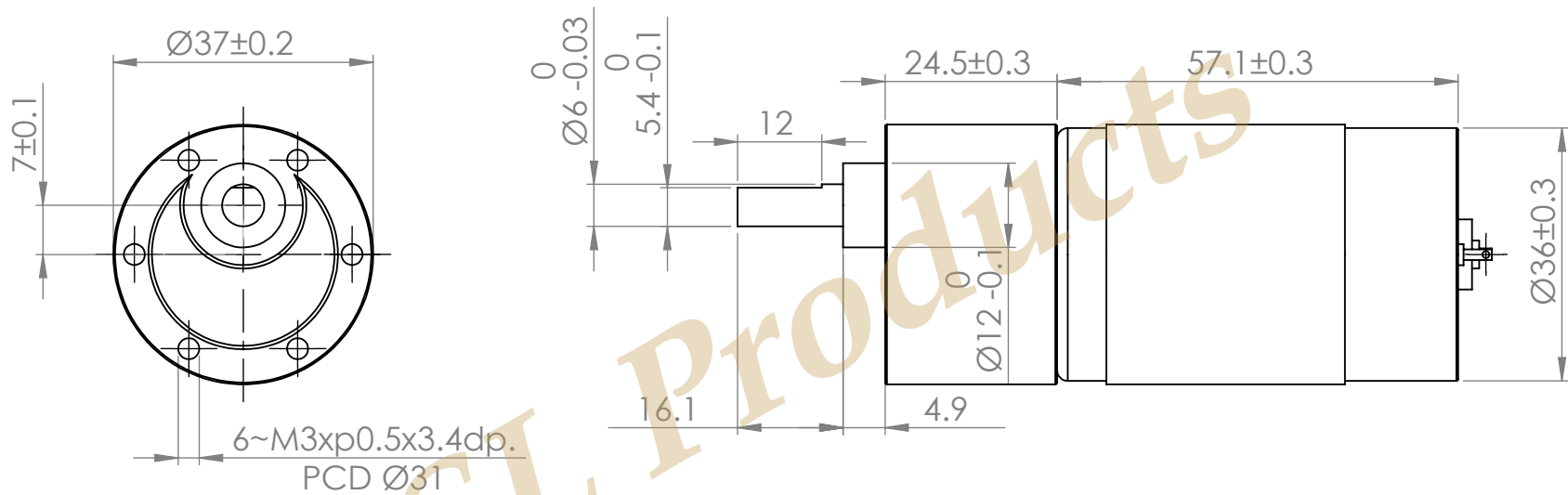


B

B



A

A

UNLESS OTHERWISE SPECIFIED:  
DIMENSIONS ARE IN MM

TITLE:

SGM-SG37-12-70-85-C

ISL Products International

info@islproducts.com www.islproducts.com

516-937-3475

MATERIAL

SIZE

PART NO.

REV

FINISH

**A**

DO NOT SCALE DRAWING

SHEET 1 OF 1

**PROPRIETARY AND CONFIDENTIAL**

THE INFORMATION CONTAINED IN THIS DRAWING IS THE SOLE PROPERTY OF ISL PRODUCTS INTERNATIONAL. ANY REPRODUCTION IN PART OR AS A WHOLE WITHOUT THE WRITTEN PERMISSION OF ISL PRODUCTS INTERNATIONAL IS PROHIBITED.

2

1