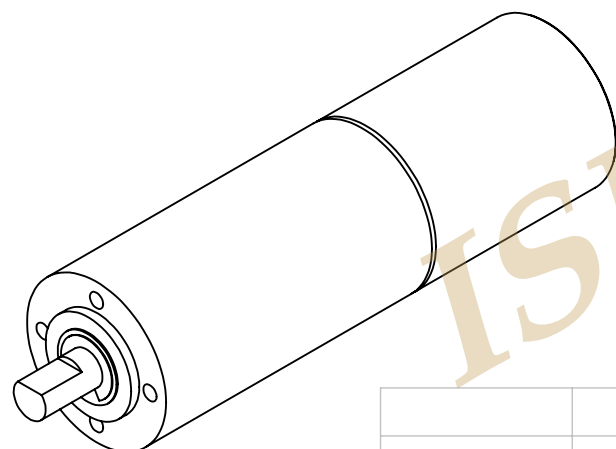
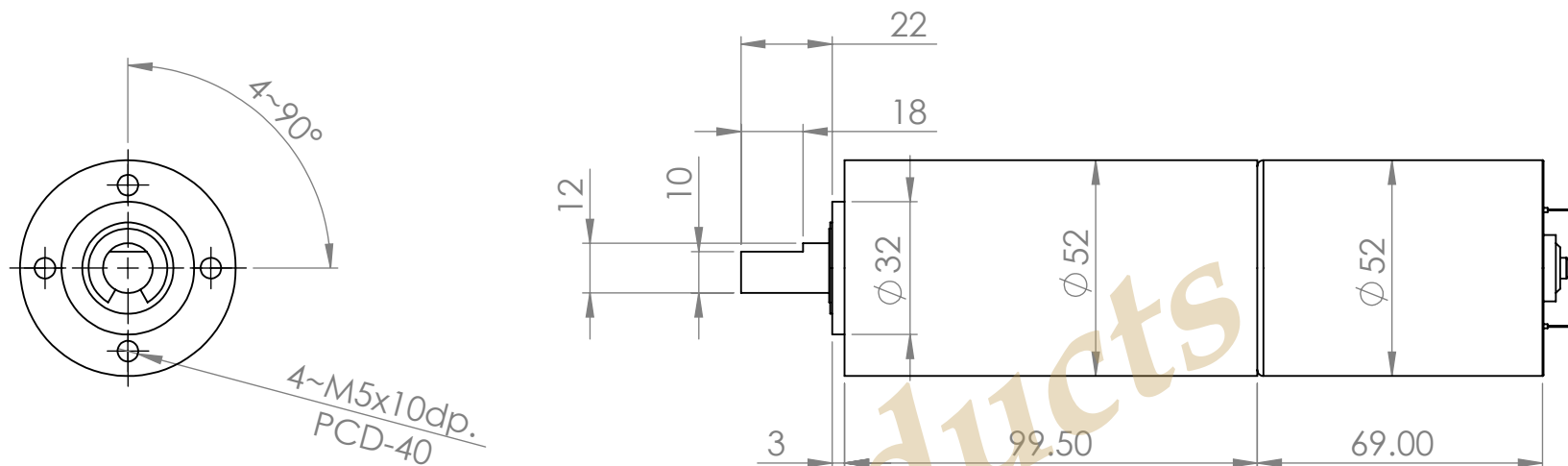


2

1

B

B



ISL Products

A

A

PROPRIETARY AND CONFIDENTIAL
 THE INFORMATION CONTAINED IN THIS DRAWING IS THE SOLE PROPERTY OF ISL PRODUCTS INTERNATIONAL LTD. ANY REPRODUCTION IN PART OR AS A WHOLE WITHOUT THE WRITTEN PERMISSION OF ISL PRODUCTS INTERNATIONAL LTD. IS PROHIBITED.

		UNLESS OTHERWISE SPECIFIED:		NAME	DATE	PGM-52-24-676-3-C		
		DIMENSIONS ARE IN INCHES		DRAWN		TITLE:		
		TOLERANCES:		CHECKED		ISL Products International		
		FRACTIONAL \pm		ENG APPR.		info@islproducts.com www.islproducts.com		
		ANGULAR: MACH \pm BEND \pm		MFG APPR.		SIZE	DWG. NO.	REV
		TWO PLACE DECIMAL \pm		Q.A.		A		
		THREE PLACE DECIMAL \pm		COMMENTS:		SCALE: 1:2	WEIGHT:	SHEET 1 OF 1
		INTERPRET GEOMETRIC TOLERANCING PER:						
		MATERIAL						
		FINISH						
	NEXT ASSY	USED ON						
	APPLICATION							
			DO NOT SCALE DRAWING					

2

1