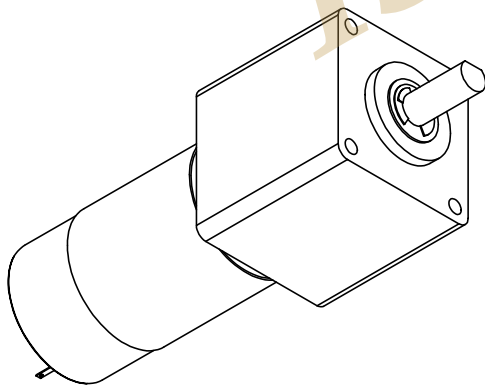
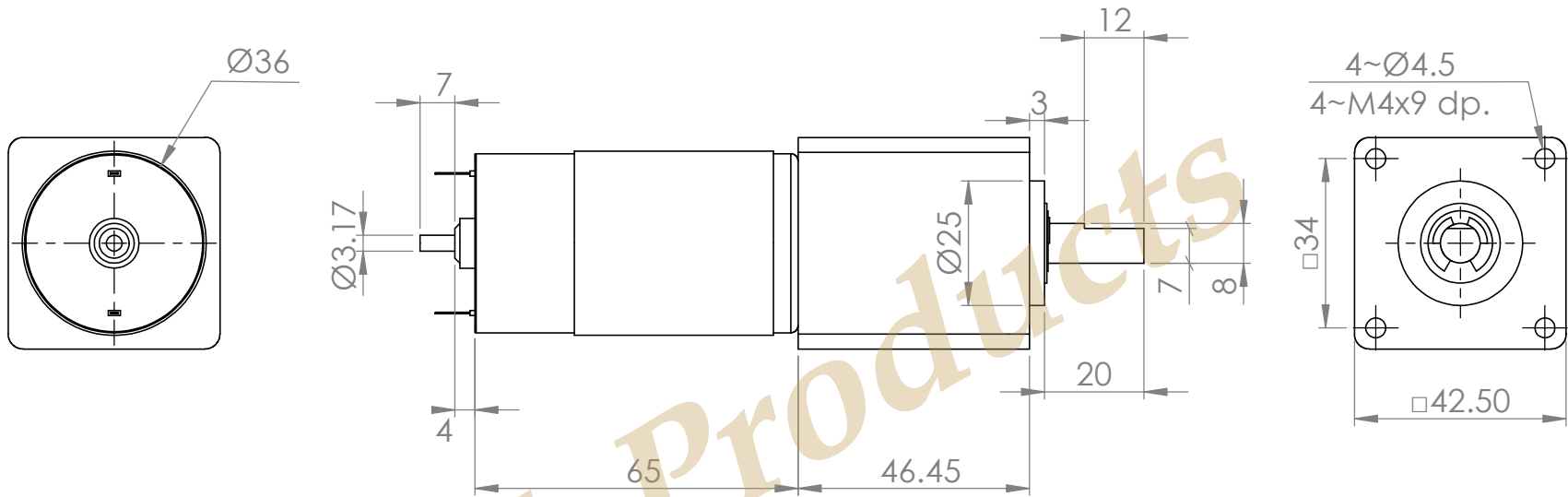


2

1

B

B



A

A

UNLESS OTHERWISE SPECIFIED: DIMENSIONS ARE IN MM		TITLE: PGM-43 w. 46.45 (L) gearbox	
		ISL Products International info@islproducts.com www.islproducts.com 516-937-3475	
DRAWING #:	SIZE	PART NO.	REV
FINISH	A		
DO NOT SCALE DRAWING		SHEET 1 OF 1	

PROPRIETARY AND CONFIDENTIAL
 THE INFORMATION CONTAINED IN THIS DRAWING IS THE SOLE PROPERTY OF ISL PRODUCTS INTERNATIONAL. ANY REPRODUCTION IN PART OR AS A WHOLE WITHOUT THE WRITTEN PERMISSION OF ISL PRODUCTS INTERNATIONAL IS PROHIBITED.

2

1