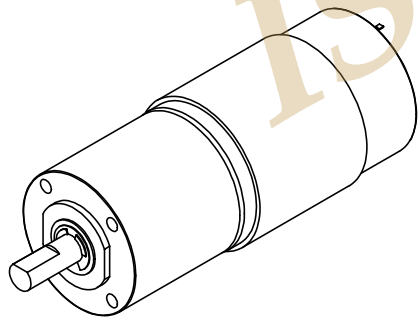
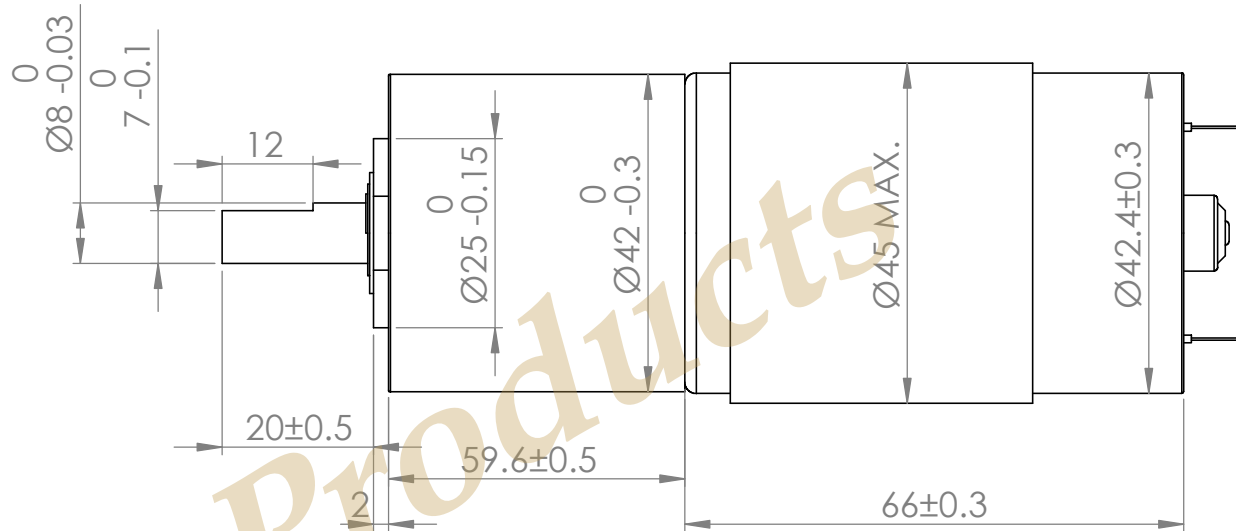
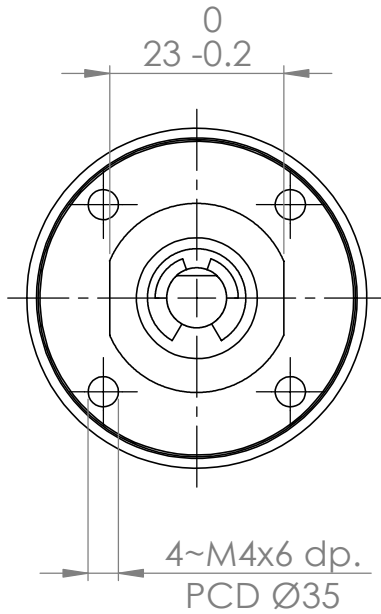


B

B



A

A

UNLESS OTHERWISE SPECIFIED:
DIMENSIONS ARE IN MM

TITLE:
PGM-42 w. 59.6 (L) gearbox, 66 (L) motor

ISL Products International

info@islproducts.com www.islproducts.com

516-937-3475

DRAWING #:

SIZE

PART NO.

REV

FINISH

A

DO NOT SCALE DRAWING

SHEET 1 OF 1

PROPRIETARY AND CONFIDENTIAL

THE INFORMATION CONTAINED IN THIS DRAWING IS THE SOLE PROPERTY OF ISL PRODUCTS INTERNATIONAL. ANY REPRODUCTION IN PART OR AS A WHOLE WITHOUT THE WRITTEN PERMISSION OF ISL PRODUCTS INTERNATIONAL IS PROHIBITED.

2

1