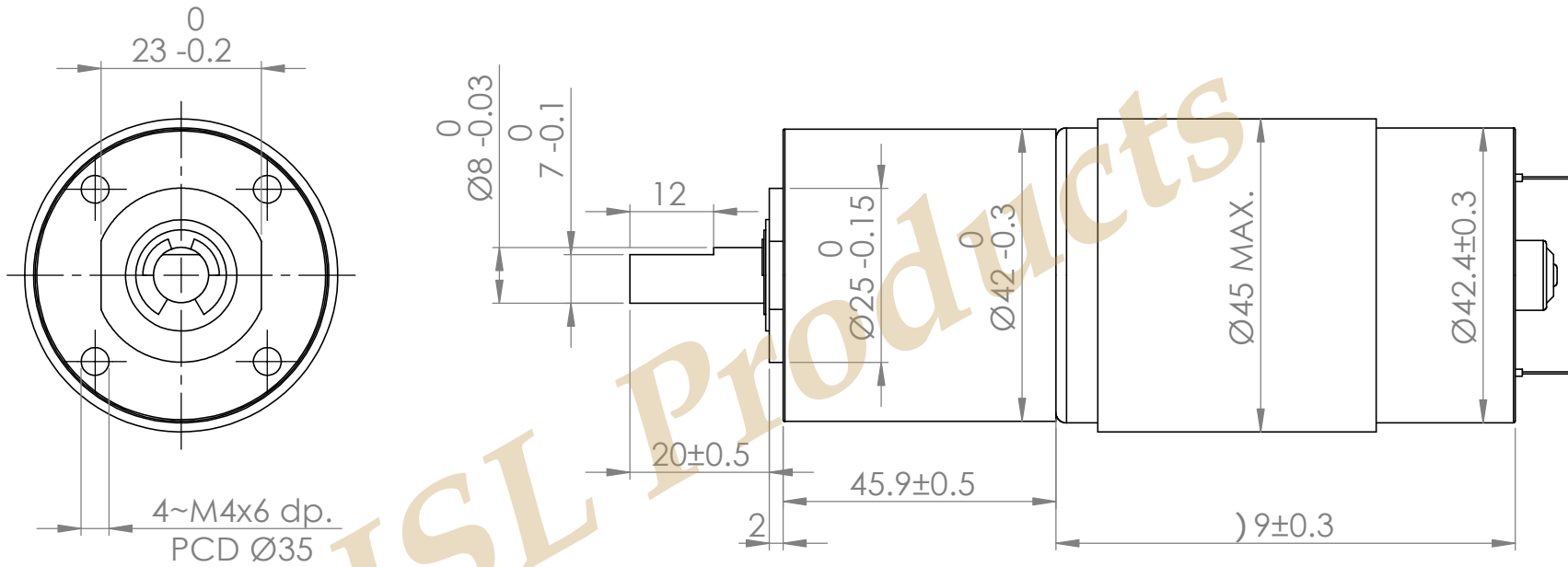


2

1

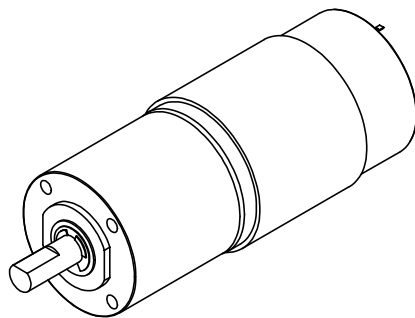
B

B



A

A



2

1

UNLESS OTHERWISE SPECIFIED: DIMENSIONS ARE IN MM		TITLE: PGM-42-12-84-190-C	
		ISL Products International	
		info@islproducts.com www.islproducts.com	
		516-937-3475	
DRAWING #:	SIZE	PART NO.	REV
FINISH	A		
DO NOT SCALE DRAWING		SHEET 1 OF 1	

PROPRIETARY AND CONFIDENTIAL

THE INFORMATION CONTAINED IN THIS DRAWING IS THE SOLE PROPERTY OF ISL PRODUCTS INTERNATIONAL. ANY REPRODUCTION IN PART OR AS A WHOLE WITHOUT THE WRITTEN PERMISSION OF ISL PRODUCTS INTERNATIONAL IS PROHIBITED.