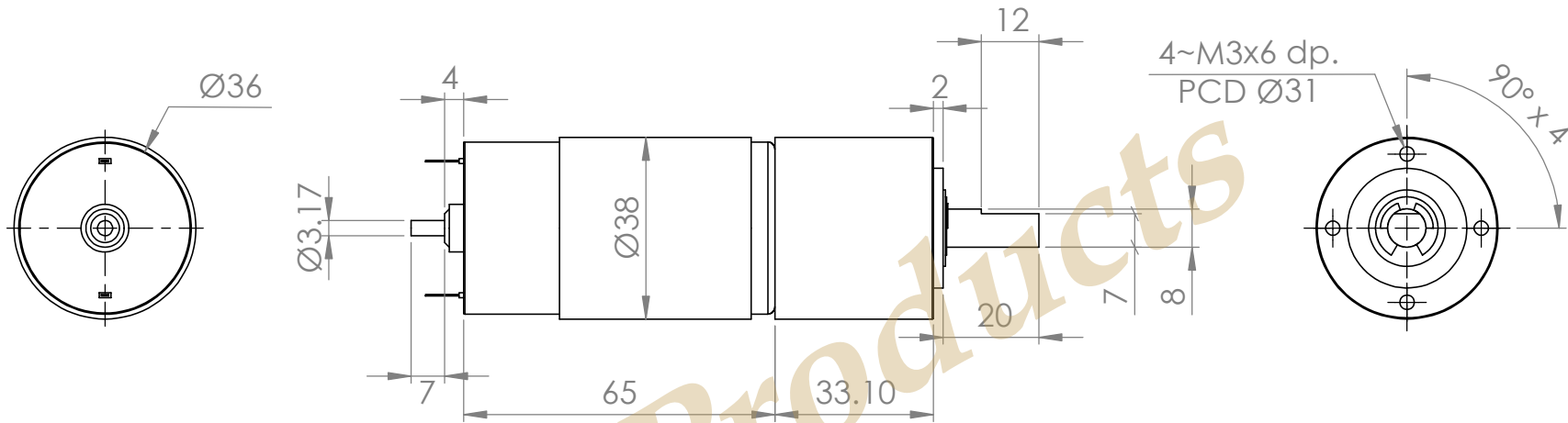


2

1

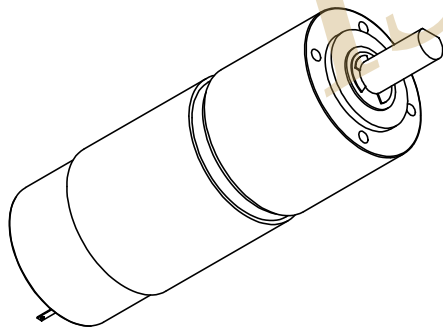
B

B



A

A



PROPRIETARY AND CONFIDENTIAL
 THE INFORMATION CONTAINED IN THIS DRAWING IS THE SOLE PROPERTY OF ISL PRODUCTS INTERNATIONAL. ANY REPRODUCTION IN PART OR AS A WHOLE WITHOUT THE WRITTEN PERMISSION OF ISL PRODUCTS INTERNATIONAL IS PROHIBITED.

UNLESS OTHERWISE SPECIFIED: DIMENSIONS ARE IN MM		TITLE: PGM-38P w. 33.1 (L) gearbox, 65 (L) motor	
		ISL Products International info@islproducts.com www.islproducts.com 516-937-3475	
DRAWING #:	SIZE	PART NO.	REV
FINISH	A		
DO NOT SCALE DRAWING		SHEET 1 OF 1	

2

1