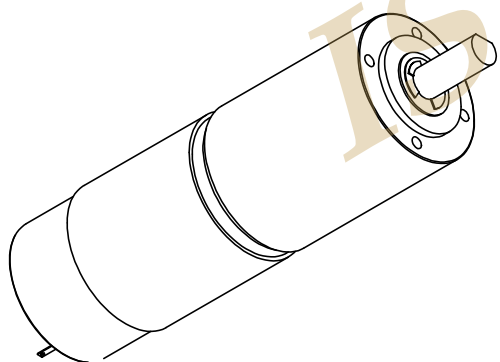
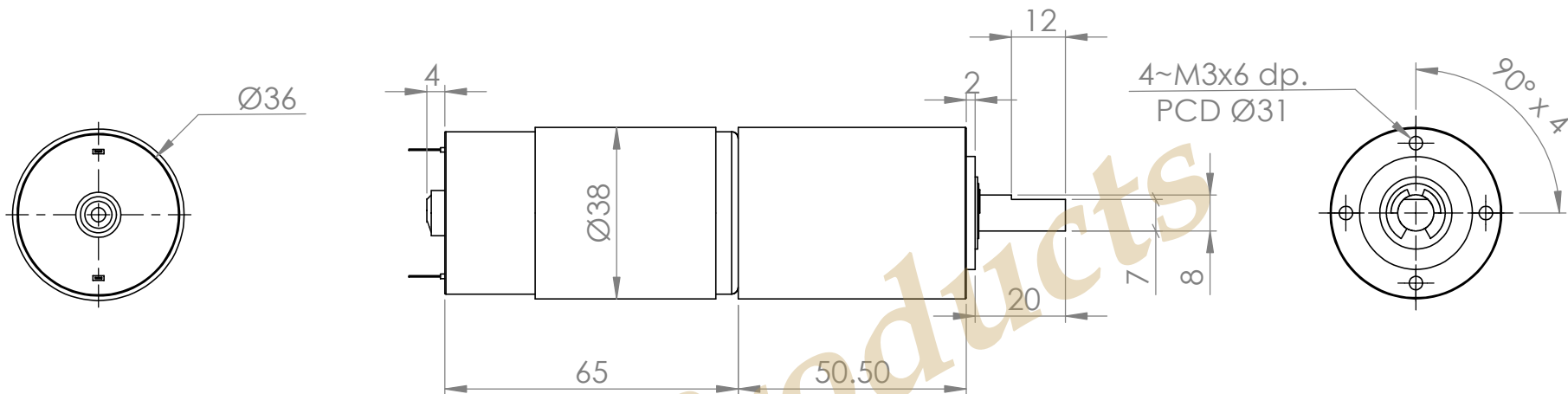


2

1

B

B



A

A

UNLESS OTHERWISE SPECIFIED: DIMENSIONS ARE IN MM		TITLE: PGM-38P-12-51-392-CBB	
		ISL Products International info@islproducts.com    www.islproducts.com 516-937-3475	
DRAWING #:	SIZE	PART NO.	REV
FINISH	<b>A</b>		
DO NOT SCALE DRAWING		SHEET 1 OF 1	

**PROPRIETARY AND CONFIDENTIAL**  
 THE INFORMATION CONTAINED IN THIS DRAWING IS THE SOLE PROPERTY OF ISL PRODUCTS INTERNATIONAL. ANY REPRODUCTION IN PART OR AS A WHOLE WITHOUT THE WRITTEN PERMISSION OF ISL PRODUCTS INTERNATIONAL IS PROHIBITED.

2

1