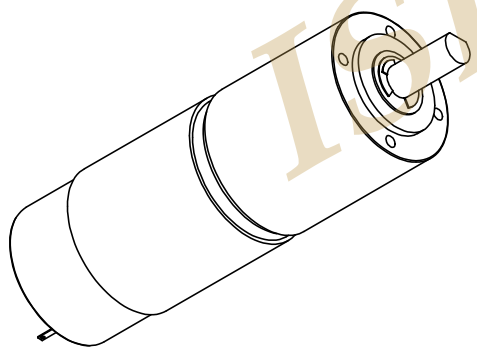
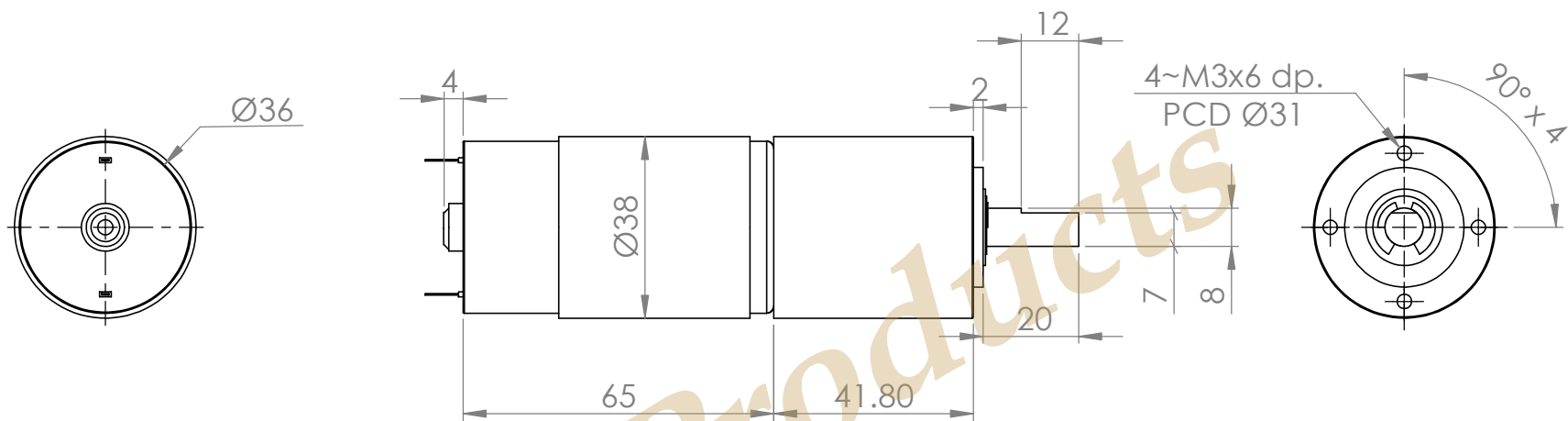


2

1

B

B



A

A

2

1

PROPRIETARY AND CONFIDENTIAL
 THE INFORMATION CONTAINED IN THIS DRAWING IS THE SOLE PROPERTY OF ISL PRODUCTS INTERNATIONAL. ANY REPRODUCTION IN PART OR AS A WHOLE WITHOUT THE WRITTEN PERMISSION OF ISL PRODUCTS INTERNATIONAL IS PROHIBITED.

UNLESS OTHERWISE SPECIFIED: DIMENSIONS ARE IN MM		TITLE: PGM-38P-12-27-741-C	
		ISL Products International info@islproducts.com www.islproducts.com 516-937-3475	
DRAWING #:	SIZE A	PART NO.	REV
FINISH			
DO NOT SCALE DRAWING		SHEET 1 OF 1	