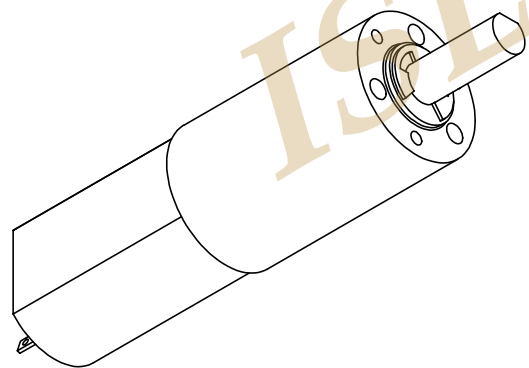
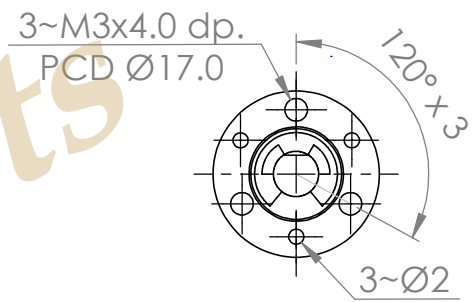
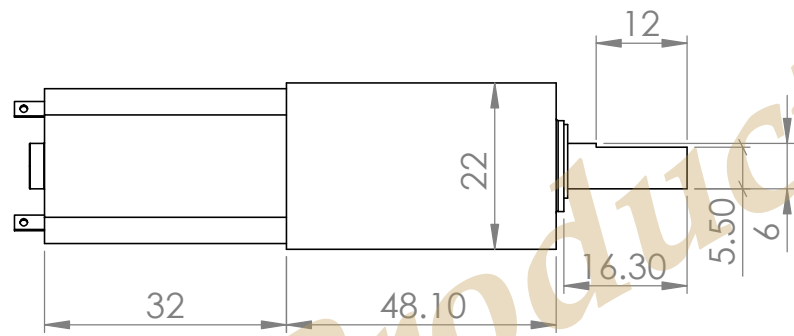
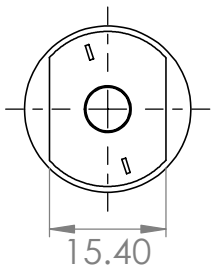


2

1

B

B



A

A

UNLESS OTHERWISE SPECIFIED: DIMENSIONS ARE IN MM		TITLE: PGM-22C w. 48.1 (L) gearbox, 32 (L) motor	
		ISL Products International	
		info@islproducts.com www.islproducts.com 516-937-3475	
DRAWING #:	SIZE	PART NO.	REV
FINISH	A		
DO NOT SCALE DRAWING		SHEET 1 OF 1	

PROPRIETARY AND CONFIDENTIAL
THE INFORMATION CONTAINED IN THIS DRAWING IS THE SOLE PROPERTY OF ISL PRODUCTS INTERNATIONAL. ANY REPRODUCTION IN PART OR AS A WHOLE WITHOUT THE WRITTEN PERMISSION OF ISL PRODUCTS INTERNATIONAL IS PROHIBITED.

2

1