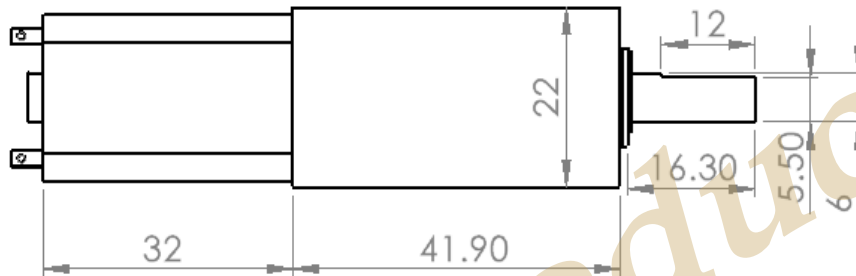
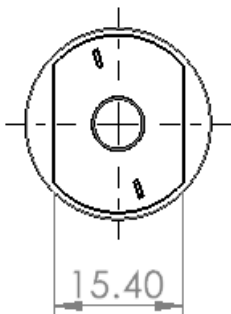


2

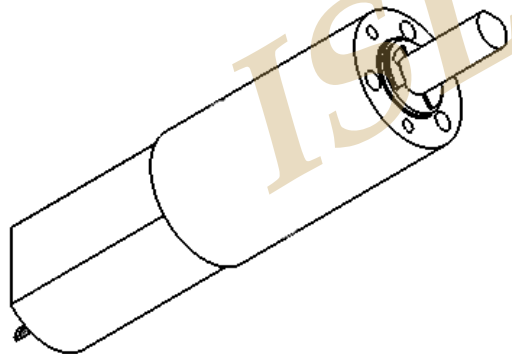
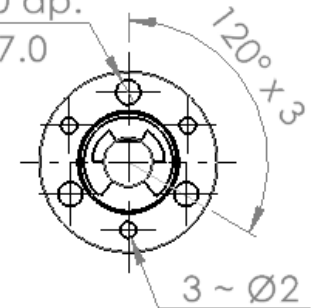
1

B

B



3 ~ M3x4.0 dp.  
PCD Ø 17.0



A

A

UNLESS OTHERWISE SPECIFIED:  
DIMENSIONS ARE IN MM

TITLE:  
**PGM-22C w. 41.9 (L) gearbox, 32 (L) motor**

**ISL Products International**

info@islproducts.com www.islproducts.com

516-937-3475

**PROPRIETARY AND CONFIDENTIAL**  
THE INFORMATION CONTAINED IN THIS DRAWING IS THE SOLE PROPERTY OF ISL PRODUCTS INTERNATIONAL. ANY REPRODUCTION IN PART OR AS A WHOLE WITHOUT THE WRITTEN PERMISSION OF ISL PRODUCTS INTERNATIONAL IS PROHIBITED.

DRAWING #:

SIZE

PART NO.

REV

FINISH

**A**

DO NOT SCALE DRAWING

SHEET 1 OF 1

2

1